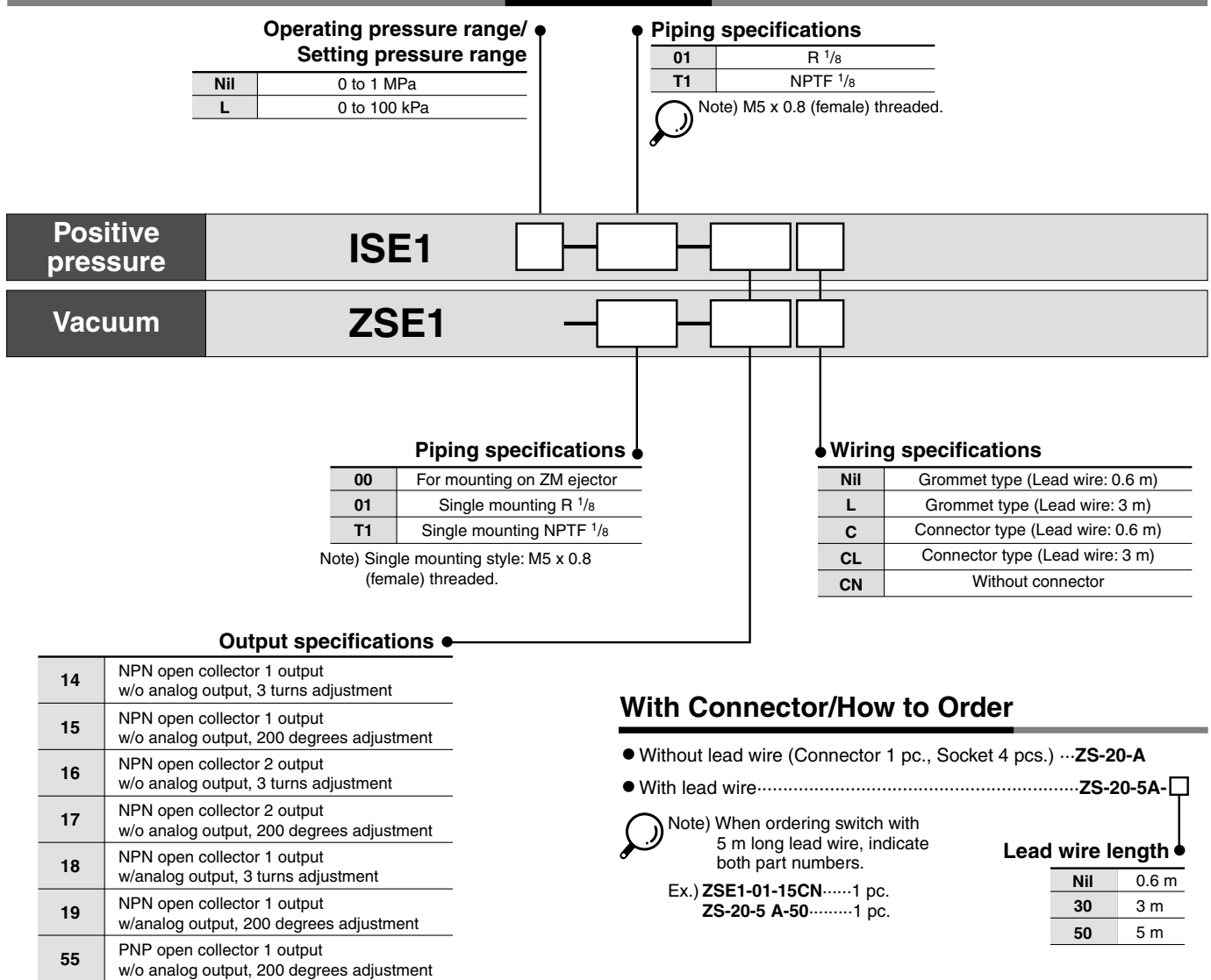


# Series ZSE1/ISE1

## How to Order



# Compact Pressure Switch Series ZSE1/ISE1

## Specifications

		ZSE1	ISE1L	ISE1
		For vacuum	For low pressure	For high pressure
Operating pressure range/Regulating pressure range		0 to -101 kPa	0 to 100 kPa	0 to 1 MPa
Proof pressure		500 kPa		1.5 MPa
Fluid		Air/Non-corrosive, non-flammable gas		
Power supply voltage		12 to 24 VDC $\pm$ 10%, Ripple (P-P)10% or less		
Current consumption		1 output: 17 mA or less at 24 VDC, 2 output: 25 mA or less at 24 VDC		
Response time		5 ms or less		
Repeatability		$\pm$ 1% F.S. or less		
Resistance	Enclosure	IP40		
	Operating temperature range	Operating: 0 to 60°C, Stored: -10 to 60°C (With no condensation)		
	Operating humidity range	Operating/Stored: 35 to 85%RH (With no condensation)		
	Vibration resistance	10 to 500 Hz at whichever is smaller of 1.5 mm amplitude or 98 m/s <sup>2</sup> acceleration, in X, Y, Z directions for 2 hrs. each (De-energized)		
	Impact resistance	980 m/s <sup>2</sup> in X, Y, Z directions, 3 times each (De-energized)		
Temperature characteristics (Based on 25°C)		$\pm$ 3% F.S. or less		
Withstand voltage		1000 VAC for 1 min. (Between lead wires and case)		
Insulation resistance		50 M $\Omega$ or more (at 500 VDC by megameter)		
Port size		01: R 8, M5 x 0.8 T1: NPTF 1/8, M5 x 0.8 00: ZM ejector mount type		
Weight		Approx. 40 g (Including 0.6 m—Long lead wire)		

## Output Specifications

Model	-14	-15	-16	-17	-18	-19	-55
Output type	NPN open collector 30 V, 80 mA						PNP open collector 80 mA
Residual voltage	1 V or less (With load current of 80 mA)						
Number of outputs	1		2		1		
Hysteresis	1 to 10% of set prss. (Variable)		3% F.S. or less (Fixed)		1 to 10% of set prss. (Variable)		1 to 10% of set prss. (Adjustable)
Indicator light	ON: when output is ON (Red)		ON: when output is ON (OUT1: Red, OUT2: Green)		ON: when output is ON (Red)		
Trimmer adjustment	3 turns	200 degrees	3 turns	200 degrees	3 turns	200 degrees	
Analog output	None				1 to 5 V $\pm$ 5% F.S. Output impedance: Approx. 1 k $\Omega$		None

ZSE□  
ISE□

PSE

ZSE1

PS

ZSE1<sub>2</sub>

ZSP

ISA2

IS□

ZSM

PF2□

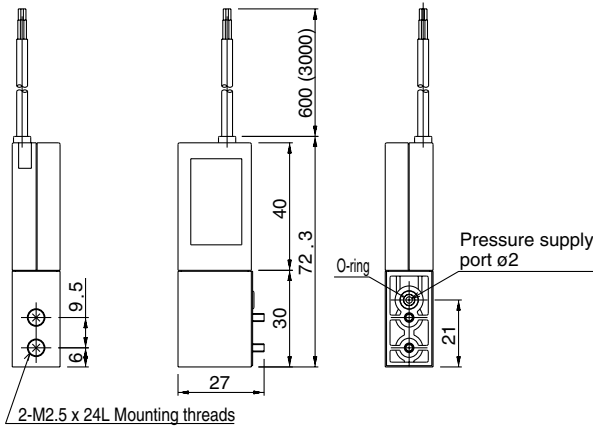
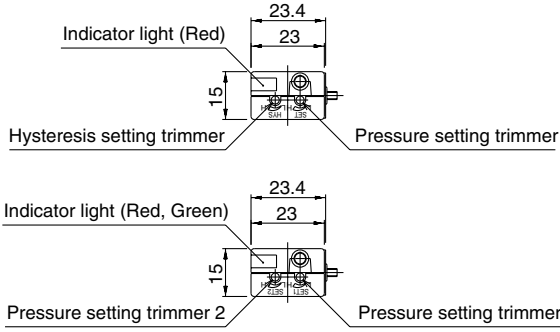
IF□

Data

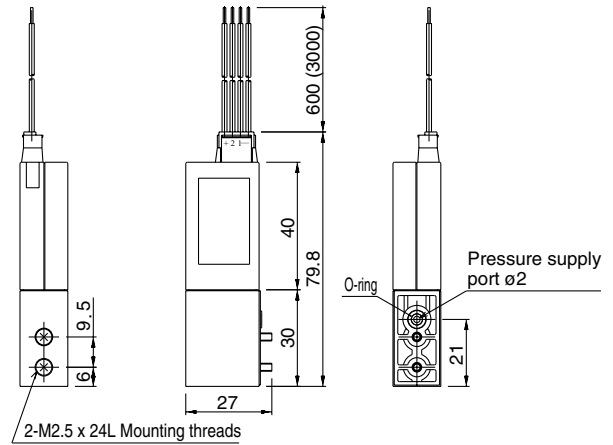
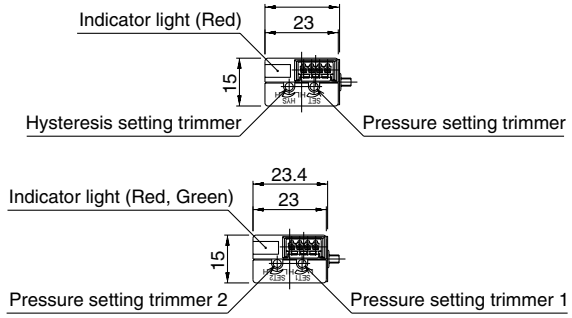
# Compact Pressure Switch Series ZSE1/ISE1

## Dimensions

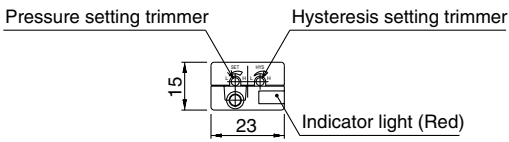
### Grommet type: ZSE1-00-14/-15/-18/-19



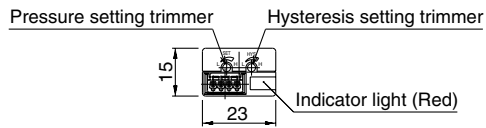
### Connector type: ZSE1-00-14C/-15C/-18C/-19C



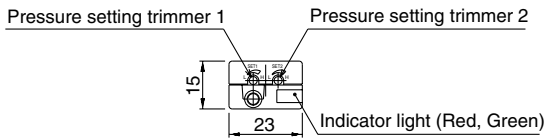
### Grommet type: $\frac{1}{2}$ ZSE1-01<sub>T1</sub>-14/-15/-18/-19



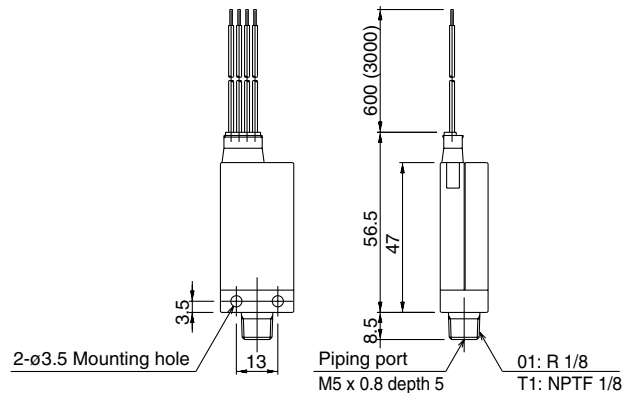
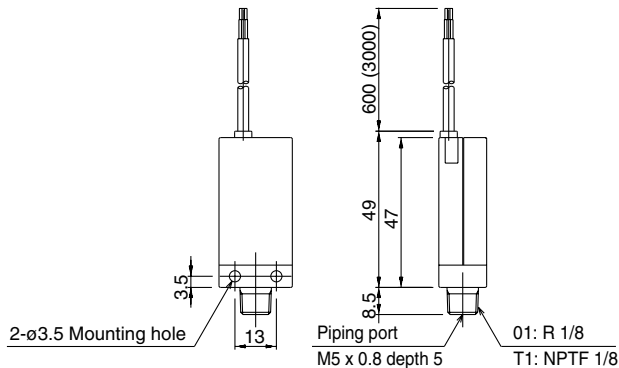
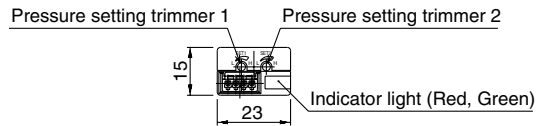
### Connector type: $\frac{1}{2}$ ZSE1-01<sub>T1</sub>-14C/-15C/-18C/-19C



### $\frac{1}{2}$ ZSE1-01-16/-17



### $\frac{1}{2}$ ZSE1-01-16C/-17C



ZSE□  
ISE□

PSE

$\frac{1}{2}$  ZSE3

PS

$\frac{1}{2}$  ZSE<sub>1</sub>  
<sub>2</sub>

ZSP

ISA2

IS□

ZSM

PF2□

IF□

Data